

Excel Batten – 5 YEAR WARRANTY - ESB3012

Products Features

- Fast Installation
- Mitsubishi PC Cover
- IP20, IK10, PF 0.96, THD 12%
- 2835 LED chips - Philips Lumileds Technology – 20% brighter whilst using fewer watts
- Beam angle: 120°
- 120 lm/w
- Flicker-Free
- UKCA, CE, RoHS
- Ceiling/suspending/surface mounted/recessed installation

Product Structure



- The Excel uses Mitsubishi polycarbonate, meaning there will be no colour loss for over ten years.



Product Structure

SEElight

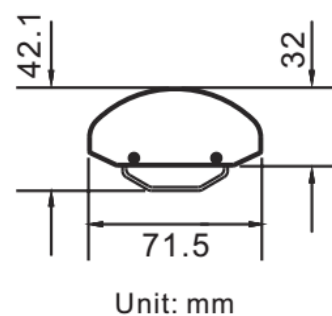
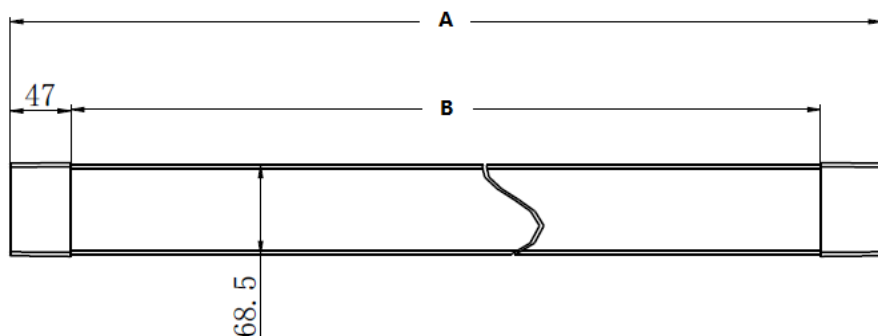
- The rear uses an aluminium heat sink for maximum heat dissipation.
- Built-in high-power efficiency driver.



Product Application




Product Structure



Product Technical Specifications

Power	Size	LED chip
30W	71*67*1200	2835
CCT	CRI	Lumen
4000K	>83Ra	3600 lm
Beam Angle	Cover	Warranty
≥120°	Frosted	5 YEARS

Installation kit

Item	Description
	<ul style="list-style-type: none"> ○ Mounting clips for ceiling installation

Please get in touch with us at customerservice@seelight.co.uk for any further information or call us on **01908 313 083**.

hit
g
i
i
W
W
S